



*Bringing Better Solutions
Into Focus For Our Customers*



PACIFIC
PRESS TECHNOLOGIES



**Focused Not Only On our Equipment...
But How To Make It Work Better For Your Business**

Picture the endless variety of products that are formed, punched, pressed, and molded from metal. Then ponder the single best equipment source for making your metalforming process better, faster, more precise and more productive—no matter what the finished product. That source is Pacific® Press Technologies!

Putting More Value In Your Production Picture.

For over 60 years, we've been a leader in hydraulic presses and metal fabrication equipment. But whatever part, piece or component you make, the real value of working with Pacific goes beyond getting the best running and most durable equipment. It's how we concentrate all our energies and expertise on making your production processes better than ever before.

The Difference In Quality Is Clear.

It's simple. Our extensive line of presses, press brakes and shears is designed, engineered and manufactured to work harder and longer than any other machinery. In fact, many of our machines that date back to the 1950s are still in operation today!

Our focus on quality is supported by our impressive manufacturing capabilities as well. At 126,000 sq. ft. of space, our vertically-integrated plant has ample room to accommodate virtually any size standard or custom equipment from 100 to 3,000 tonnage capacities. Plus, our equipment performance is backed by a comprehensive warranty you won't find from many offshore suppliers. It covers 5 years on frame members, as well as 2 years on parts and labor.

Pressing Forward With Our Full Line Of Powerful Metalforming Machines

From producing automotive and aircraft parts to bath fixtures, river barges and beyond, Pacific makes the machine to handle the job. And with tough, durable equipment generating 100 to 3,000 tons of force, rest assured we can handle the load too. For the bigger picture of our products, check out all our press brakes, presses and shears for metalworking.

K-Series Hydraulic Press Brakes

For medium to heavy plate-bending applications, it's the industry standard in press brake productivity and precision. For standard models, choose from 175 to 3,000 ton capacities, in 8' to 30' bed lengths or larger.

Fabri-K Series Hydraulic Press Brakes

The same rugged design and reliability as our K-Series, but with added features for increased productivity, reduced setup time and improved part quality. Equipped with standard user-friendly DNC controls or optional CNC controls.



Fabri-K-Series Hydraulic Press Brakes



K-Series Hydraulic Press Brakes



K & FK-Series Tandem Press Brakes



K & FK-Series Tandem Press Brakes

Working in tandem, these machines deliver unmatched synchronicity and a unique solution for long-part bending applications. Select from 175 to 3,000 tons for standard models, in lengths up to 60'.

OBS Pressformer, Pressformer II and Pressformer II G-Series Gap Frame Presses

These all-purpose "workhorses" mean unmatched productivity and overall affordability for hundreds of general presswork applications. Our Pressformer II and Pressformer II G-Series machines deliver higher press speeds and three-sided access. OBS PF is available in standard models of 110, 150 and 250 tons; PF II is available in tonnage models from 100 to 1,000 tons; and Pressformer II G-Series is available in 100 to 375 ton models.

OBL Series Straightside Presses

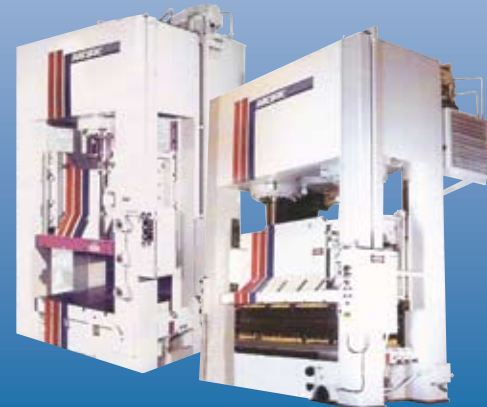
Our economical OBL Series combines the benefits of speed, job versatility and proven ROI. That's why it's the industry standard in dual-cylinder, down-acting metalforming press performance. 200 to 1,000 ton standard models are available, in bed lengths ranging from 6' to 12' or larger.

OBM Series Straightside Presses

Perform draw work, embossing, coining, even blanking/punching work with the proven versatility of our OBM Series—all at an affordable price. Choose from 100 to 1,000 ton standard models, with bolster sizes from 3' x 3' to 5' x 5'.

M-Series and D-Series Straightside Presses

Two great choices for greater versatility and higher precision in a multitude of pressroom applications, whether it's drawing, forming, blanking, punching or coining. Select M-Series single-cylinder standard models from 100 to 1,000 tons, with bolster sizes from 3' x 3' to 5' x 5'. For D-Series dual-cylinder standard machines, choose from 150 to 2,000 tons with bolster sizes from 6' x 3' to 16' x 6'.



Pressformer II G-Series Gap Frame Presses

Pressformer II Gap Frame Presses

M-Series & D-Series Straightside Presses



Bulldozer and Ramdozer Presses

Ramdozer's low silhouette makes it the ideal tool for bending long and/or heavy structural shapes, while our Bulldozer Press easily handles heavier straightening/fabrication applications. Standard Bulldozer or Ramdozer models available from 100 to 500 ton capacities in seven different sizes.

Compression/Composite Molding Presses

For a myriad of materials, Pacific manufactures custom hydraulic presses above 200 tons for rubber and composite applications, including SMC (Sheet Molding Compounds), Resin Transfer Molding (RTM), compression/thermoset molding and advanced thermoplastics.

CX-Series Special Application Presses

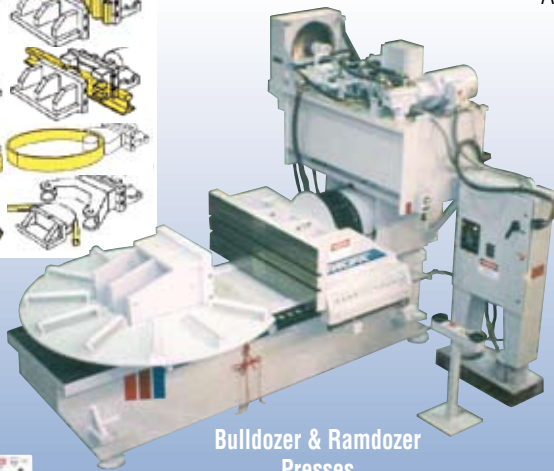
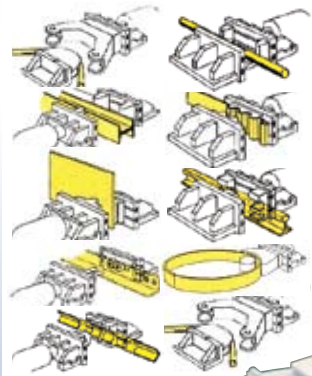
Our state-of-the-art single and multi cylinder 4-post press, well-suited for molding, clamping and forming operations with open access from all sides. Pick from 100 to 600 ton standard models with the appropriate bed size to fit your application.

Longbed Pressformer Special Application Presses

The perfect pressroom performer for punching, forming and molding long and narrow parts. Combines proven two-cylinder press brake frame design and Pacific's press control systems. Choose from 100 to 3,000 ton models with the bed size required for your application.

G-Series Sheet/Plate Shears

Known for ruggedness, reliability and accuracy, our G-Series represents the cutting edge in production shearing. Whatever the thickness or material, it helps enhance the productivity and quality of your cut. Standard capacities range from 3/8" to 1-3/4", in 6' to 36' bed lengths. Also designed for full-time shearing operations.



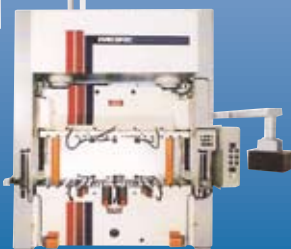
Bulldozer & Ramdozer Presses



CX-Series Special Application Presses



Compression Composite Molding Presses



Longbed Pressformer Special Application Presses



G-Series Sheet/Plate Shears



Productivity Enhancement Program (PEP)

Upgrade Your Equipment In Half The Time And At A Fraction Of The Cost Of New!

When you have pressroom equipment that's old, tired or out-of-date, it could be time to put a little *PEP* in your production line. In fact, our *Productivity Enhancement Program* is your most cost-effective option for rebuilding or modernizing your older machine and, in turn, increasing its speed and accuracy.

To minimize downtime and production disruptions, our service personnel can often perform their work on your existing site—typically in half the time needed for new installations. Best of all, replacement parts are covered by our general warranty.

So on most makes or models of hydraulic presses, press brakes or shears, Pacific can upgrade your machine to today's standards of production, performance and safety. And you'll benefit from better productivity with your refurbished equipment for years to come!



More Features Mean More Productivity.

Whether it's an older press, press brake or shear, Pacific can help increase your machine's productivity, accuracy and safety with these key features:

- Electrical upgrades
- High-speed power units
- Standard and heavy-duty backgauges
- Light curtains for operator protection
- Slide locks for added safety
- Flat touch screen interface
- Conversion to DNC or CNC controls
- Quick die change equipment
- 2D or 3D graphic programming
- Laser bend alignment
- PLUS many more options!



For a full list of available features, please visit our website at www.pacific-press.com and check under "Upgrades."





Pressing Forward For Our Customers Today, And For The Future

Here at Pacific, our focus is fixed on you—and the value we can bring to your manufacturing operation. Every day, we'll look for ways our equipment not only gets your job done, but does it better than ever. That's what we mean by pressing forward, custom designing or searching for the perfect machine for your particular production needs. Just as we've been doing for over six decades, we're always moving forward to develop new solutions and add real value for our customers with:

- Over 60 Years of Proven Performance and Quality
- Professional Factory Field Service and Repair
- Faster Parts Availability
- Comprehensive Warranty on Frame, Parts and Labor
- Long History of Design Innovation and Experience
- Productivity Enhancement Program

Unbeatable Field Service For Better Productivity.

At the outset, metalforming machines from overseas suppliers may seem to cost less. But if there's a maintenance or repair issue, they can actually cost you more in the long run from lost productivity.

Pacific offers a smarter solution. Our experienced team of well-trained factory field service professionals are ready to respond and repair your equipment quickly and efficiently. Parts availability and shipping is faster with us too--sometimes even overnight. All of which helps reduce your downtime for repairs and keeps your Pacific equipment up and running.

World-Class Design And Innovation For The Global Market.

Here at Pacific, our decades of design experience and innovation makes all the difference for our customers worldwide. In fact, we've custom designed more machines than our competitors and produced equipment for major manufacturers all over the globe, including North America, China, Europe and India.

Our recent innovations include material-handling technologies, state-of-the-art numerical controls, as well as precision motion devices. And every day, we're pressing forward and pushing the design envelope with new solutions to improve our equipment—and your production process—even more!

Toll Free: 1-800-851-3586

Tel: 618-262-8666

Fax: 618-262-7000

Email: info@pacific-press.com

www.pacific-press.com



PACIFIC
PRESS TECHNOLOGIES